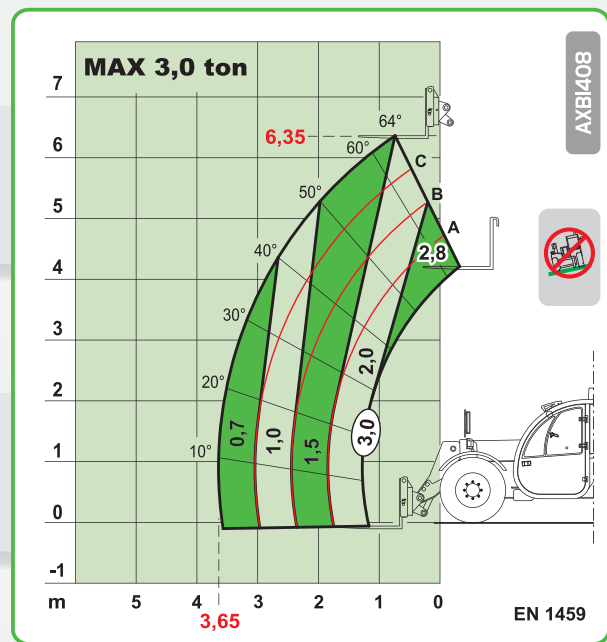
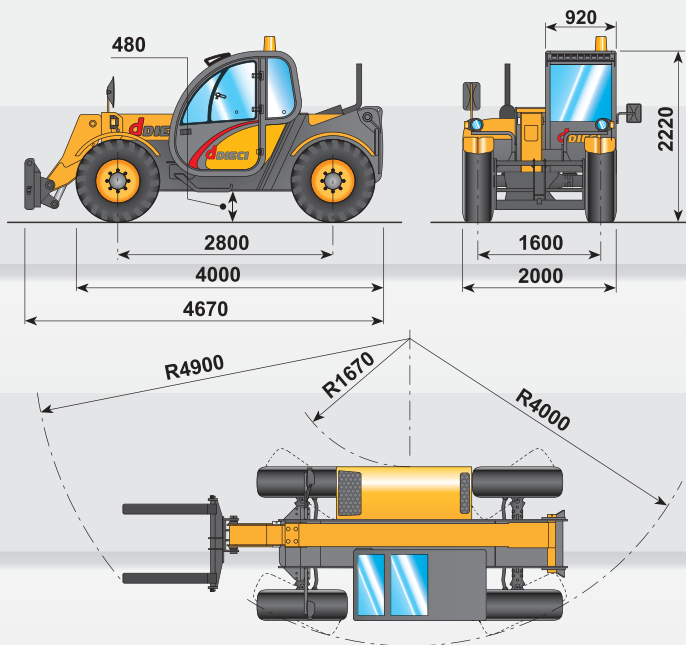


macchine edili ed agricole  
**d DIECI**

# Agri Farmer 30.7



# Agri Farmer 30.7



## PERFORMANCES

Maximum capacity:.....	3.000 kg
Capacity at maximum height on tyres:.....	2.000 kg
Capacity at maximum boom extension on tyres:.....	700 kg
Maximum lifting height on tyres:.....	6,35 m
Maximum horizontal boom extension:.....	3,65 m
Boom extension at maximum height:.....	0,80 m
Fork tilting angle:.....	130°
Tearing force:.....	5.700 daN
Towing force:.....	7.300 daN
Maximum allowable slope:.....	40 %
Total empty weight:.....	6.000 kg
Max speed:.....	35 km/h



## TRANSMISSION

Transmission:..... hydrostatic with variable delivery pump  
 Hydraulic engine:..... with automatic adjustment  
 Reversing gear:..... electro - hydraulic  
 Inching pedal for controlled forward movement.  
 Servocontrolled 2 speed gearbox.



## HYDRAULIC SYSTEM

Gear pump with capacity at max speed:..... 88 lt/1'  
 Max working pressure:..... 230 bar  
 Control valve with joystick:..... 3 in 1



## DIFFERENTIAL AXLES

Steering axles:..... 2, with planetary reduction gears  
 Type of steering:..... 4 wheels / transversal / 2 wheels  
 Front axle:..... rigid  
 Rear axle:..... oscillating  
 Service brake:..... oil bath on the front axle  
 Negative parking brake.



## OPTIONAL AND ACCESSORIES

Optional and Accessories:..... see the relevant catalogue



## ENGINE

IVECO NEF F4GE0454A - TC - 74 kW ENGINE  
 Maximum power:..... 74 kW (102 hp) at 2300 rpm  
 Operating principle:..... four-stroke, diesel engine  
 Cylinder number and layout:..... 4, vertical in line  
 Displacement:..... 4485 cm<sup>3</sup> - Turbo compressor  
 Cooling system:..... liquid



## REFUELLING (litre)

Hydraulic tank:..... 130  
 Fuel tank:..... 60



## STANDARD DEVICES

Anti-tipping device with block for hazardous movements.  
 Hydraulic socket for possible accessories on boom head.  
 Closed soundproof ROPS - FOPS approved driver's cab, with heating.  
 Self-locking differential on front axle (limited slip 45%).



## TYRES

Tyres:..... 16/70x20"



## TOWING CAPACITY (on request)

Unbraked trailer:..... 3 ton  
 Mechanical braking:..... 5 ton  
 Hydraulic/pneumatic brake:..... 17 ton

The information contained in this publication is merely indicative; the models described may be modified, without notice, by the manufacturer, drawings and photographs may refer to optional or particular equipment for other countries. For any further information, please contact DIECI premises at the address given below.